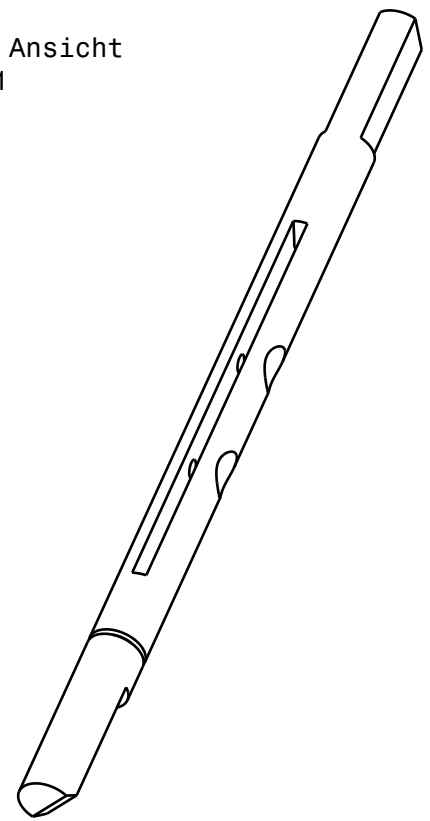
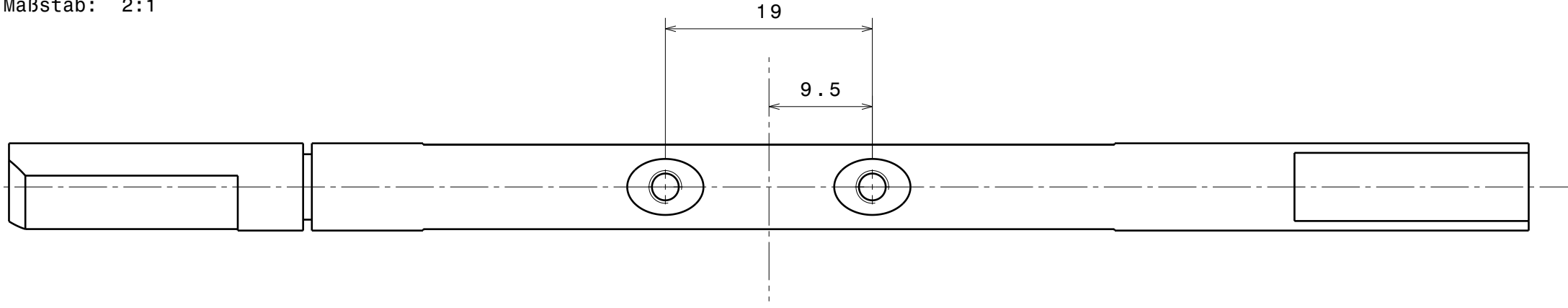
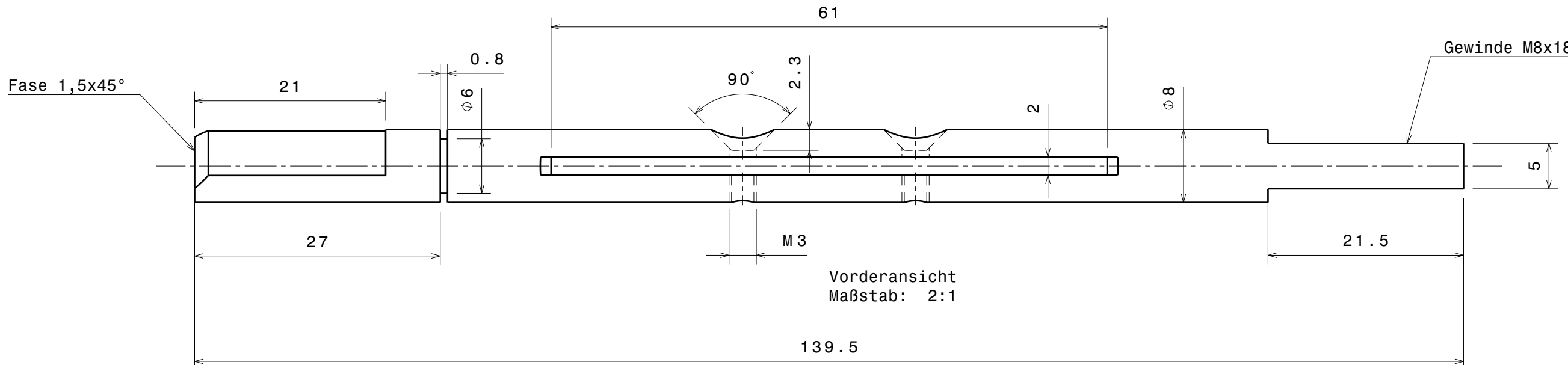


Draufsicht
Maßstab: 2:1

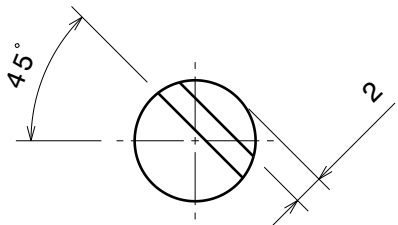
Isometrische Ansicht
Maßstab: 1:1



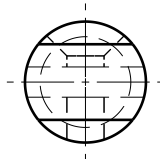
Fase 1,5x45°



Vorderansicht
Maßstab: 2:1



Seitenansicht links
Maßstab: 2:1



Seitenansicht rechts
Maßstab: 2:1

| | | | | | |
|-----------------------------|--|------------------------------|---|---|---|
| DESIGNED BY: Eike | | <h1>Drosselklappenwelle</h1> | I | - | |
| DATE: 13.01.2011 | | | H | - | |
| | | G | - | | |
| | | F | - | | |
| | | E | - | | |
| SIZE A3 | | Material: Stahl, verchromt | | D | - |
| SCALE 2:1 | | | | C | - |
| | | | | B | - |
| | | | | A | - |

This drawing is our property; it can't be reproduced or communicated without our written agreement.

SHEET
1/1